

## auto electrical parts

### Technical Information Sheet

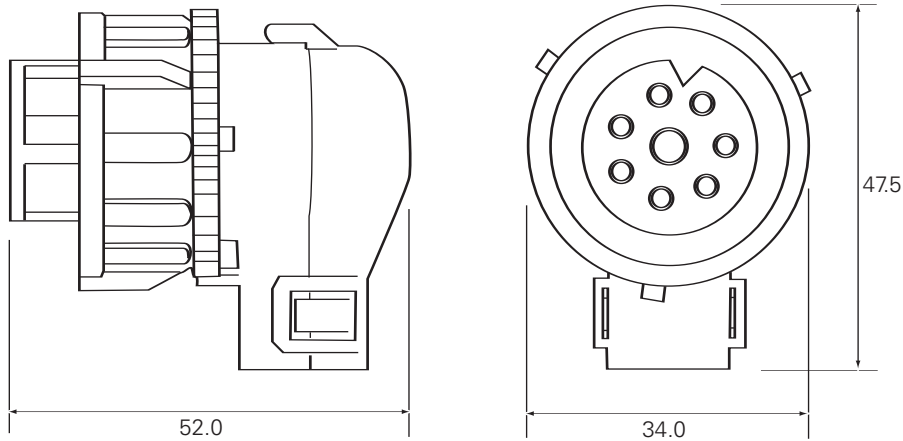
#### Part No. 0-326-58

8 pole black nylon Schlemmer connector kit for use with 10NW tubing. Supplied with terminals and seals. Fits some MAN lamps.

Fits Durite lamps: 0-072-02/03/12/13



#### Technical Drawing (not to scale)



#### Specification

Type	8 pole connector
Tubing size	10 NW
Material - plug	Nylon (Polyamide 6)
- connector seals	Silicone
- terminal	Nickel plated brass
Terminal	Crimp contact
Cable size	0.5 - 1.0mm <sup>2</sup>
Seals	0.35 - 1.0mm <sup>2</sup>
Temperature range	-40 °C to + 80 °C
Protection	IP67

The information contained in this document is correct to the best of our knowledge at the time of printing. However, specifications may change at any time without notice.